

DP-10F Specifications

Port Dimensions (7.15 GPM Max.)

Intake & discharge connection:

PTFE	3/8" NPT
	3/8" Flaretek
	1/2" ANSI Flange
Air inlet (incl. ball valve):	1/4" Female NPT
Air exhaust (incl. silencer):	3/8" Female NPT

Maximum Liquid Temperature*

PTFE	176°F (80°C)
------	--------------

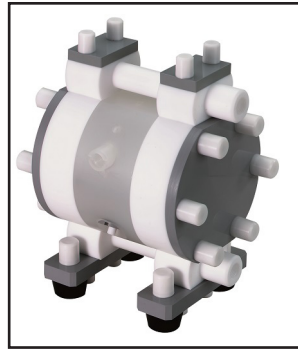
Air Supply Pressure (All Models): 30–70 PSI

Discharge Volume Per Cycle: 0.0172 gallons

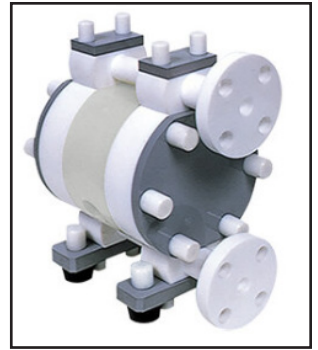
Maximum Cycles Per Minute: 415

Air Motor: PTFE

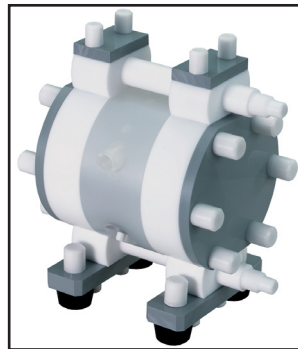
Valve Type: Flat or Ball Flat valve type pumps are not available for use in slurry liquid.



NPT Dimensions:
8.19" L x 8.74" W x 10.39" H
Weight: 15.9 lb.s (7.2 kg)

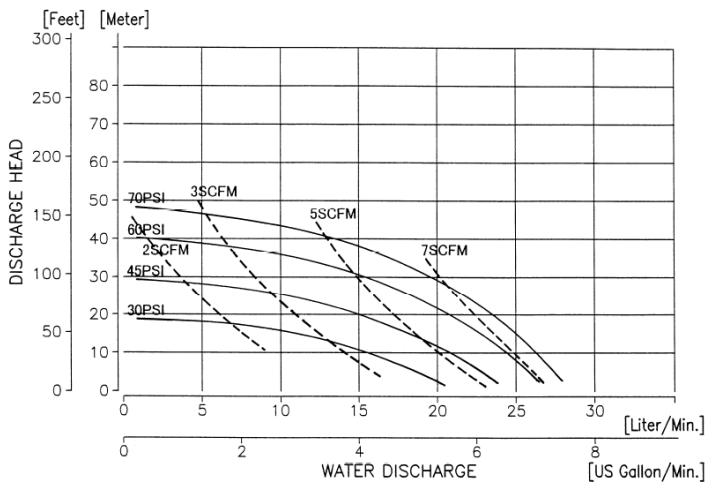


Flange Dimensions:
9.55" L x 8.74" W x 10.39" H
Weight: 15.9 lb.s (7.2 kg)

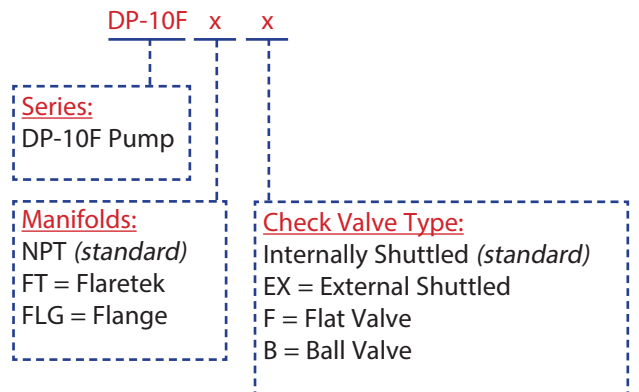


Flaretek Dimensions:
9.07" L x 8.62" W x 10.39" H
Weight: 15.9 lb.s (7.2 kg)

DP-10F Diaphragm Performance Curve

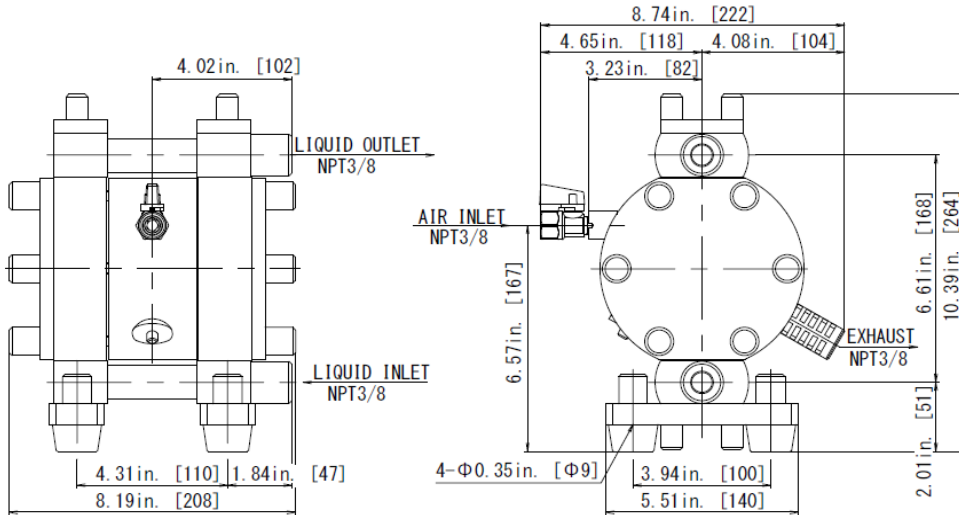


Model Number Nomenclature

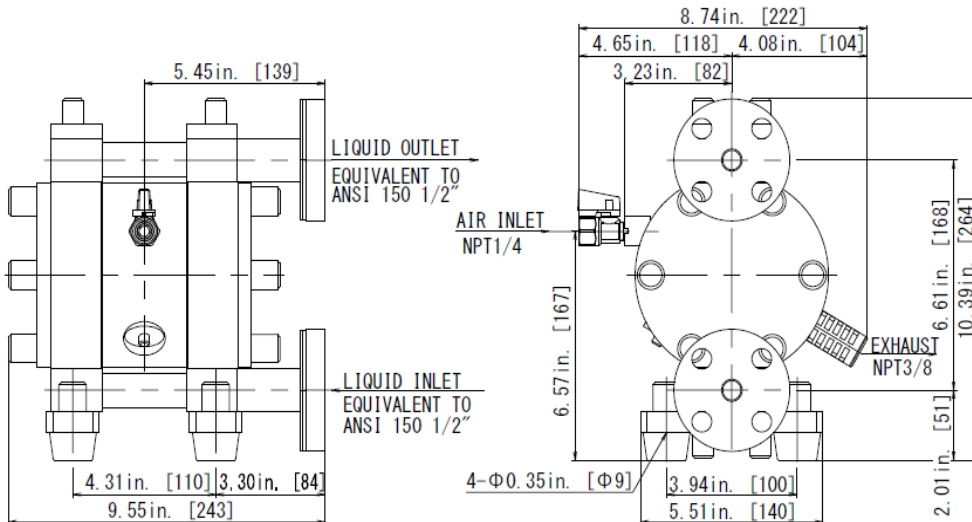


DP-10F Dimensions

DP-10F NPT

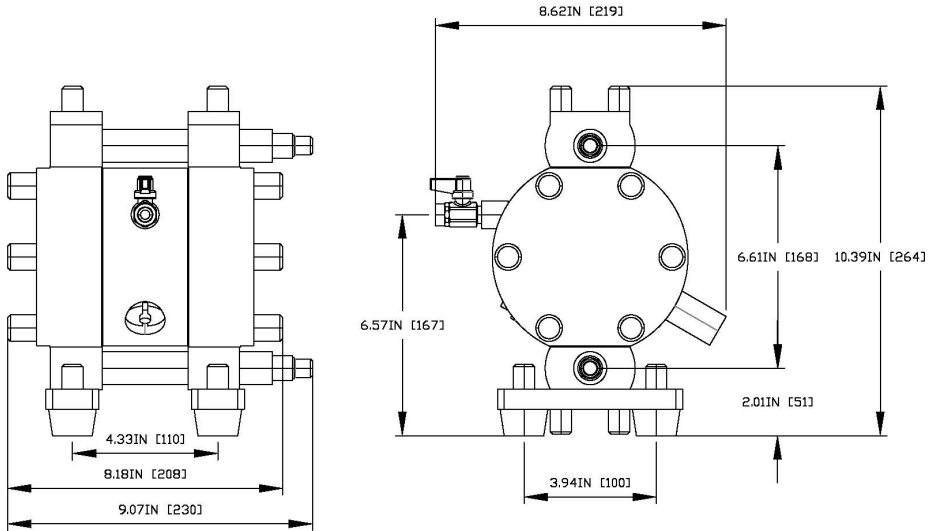


DP-10F Flange



DP-10F Dimensions

DP-10F Flaretek



AutoCAD® is a registered trademark of Autodesk, Inc.

Hytrel® is a registered trademark of E.I. du Pont de Nemours and Company.

Kynar® is a registered trademark of Arkema.

Nordel™ is a trademark of DuPont Dow Elastomers.

Ryton® is a registered trademark of Chevron Phillips Chemical Company.

Santoprene® is a registered trademark of Advanced Elastomer Systems.

Viton® is a registered trademark of DuPont Performance Elastomers.

Swagelok™ & VCR™ are trademarks of the Swagelok Companies.

Flaretek® is a registered trademark of Entegris.

Garlock ONE-UP® is a registered trademark of W.L. Gore & Associates.

Yamada® is a registered trademark of Yamada America, Inc.

SolidPRO Designed to Pump Fluids Containing Solids® is a registered trademark of Yamada America, Inc.

Xtreme Duty Pro XDP® is a registered trademark of Yamada America, Inc.

The Proof's in the Pump® is a registered trademark of Yamada America, Inc.

The Proof is in the Pump® is a registered trademark of Yamada America, Inc.

Engineered to Perform. Designed to Outlast.® is a registered trademark of Yamada America, Inc.

Due to Yamada's continued commitment to product improvement, specifications may change without notice.